

SRZ Series Helical Gear Flow Meter



The Ultimate in Positive Displacement

- ❑ 100:1 Turndown Ratio.
- ❑ Factory calibration provided.
- ❑ Compact, rugged, high pressure design.
- ❑ 303/321 Stainless Steel used throughout.
- ❑ Maintains highly accurate measurements over entire flow range.
- ❑ Precision machined, surface hardened, stainless steel helical rotors.
- ❑ Handles varying conditions of viscosity, temperature & flow without linearization.

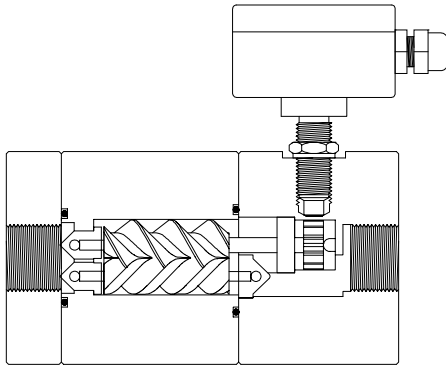
APPLICATIONS

Oils ♣ **Fuels** ♣ **Adhesives** ♣ **Sealants** ♣ **Petrochemicals** ♣ **Solvents**
Paints ♣ **Resins** ♣ **Agrichemicals** ♣ **Inks**

SRZ Series

Model	SRZ-10	SRZ-20	SRZ-40	SRZ-100	SRZ-400
Flow Range (GPM)	0.003 to 1	0.01 to 4.0	0.1 to 11	0.25 to 26	1 to 105
Sensor	VTER	VTER	VTER	VTEK	VTEK
Impulses per Gallon	42,500	34,700	13,300	2,271	810
Max Pressure (psi)	6,000	6,000	6,000	6,000	6,000
Port Size	1/4" BSP	1/2" BSP	3/4" BSP	1" BSP	1 1/2" BSP
Length	4.0"	4.875"	6.1"	8.7"	12.5"
Diameter	2.3"	3.0"	3.4"	4.4"	5.25"
Weight	5.0 lbs.	9 lbs.	14.0 lbs.	32.0 lbs.	70.0 lbs.

Ball bearing and heater cartridge versions are available for certain models.
O-Ring Seals: Teflon Standard, Viton available.



Two highly accurate cycloid-shaped screw spindles mesh and rotate inside a cylindrical housing with two overlapping holes in the form of a figure 8. The medium flows in an axial direction rotating the spindles without pulsation. The speed of the spindles is proportional to the flow rate over a 1:100 turn down ratio.

Accuracy:
±0.5% above 30cSt
±0.25% above 100cSt

Repeatability: ±0.1%
Temperature: 300°F
Higher temperatures upon request

Pickup Sensors Available

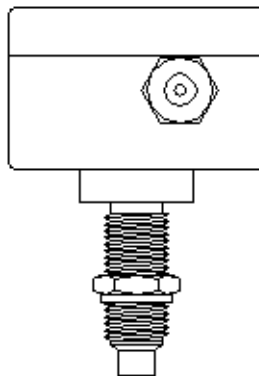
VTER/P

- Standard sensor
- 5 pin screw-on connector
- Fluid temp to 250°F
- Long version to 300°F
- 7-29vdc



VTER

- Internal 3 wire terminal strip connection
- Fluid temp to 250°F
- Long version to 300°F
- 7-29vdc



CAPM-20 KEM

- 3 pin screw-on connector
- Intrinsically safe
- UL approved
- Fluid temp to 185°F
- 10-30vdc

